

# PARTS CATALOG

T9.480  
4WD Tractor  
Tier 4B

Print No. 696054011  
1/2016





# PARTS CATALOG

T9.480  
4WD Tractor  
Tier 4B

Print No. 696054011  
1/2016



**NEW HOLLAND**

AGRICULTURE

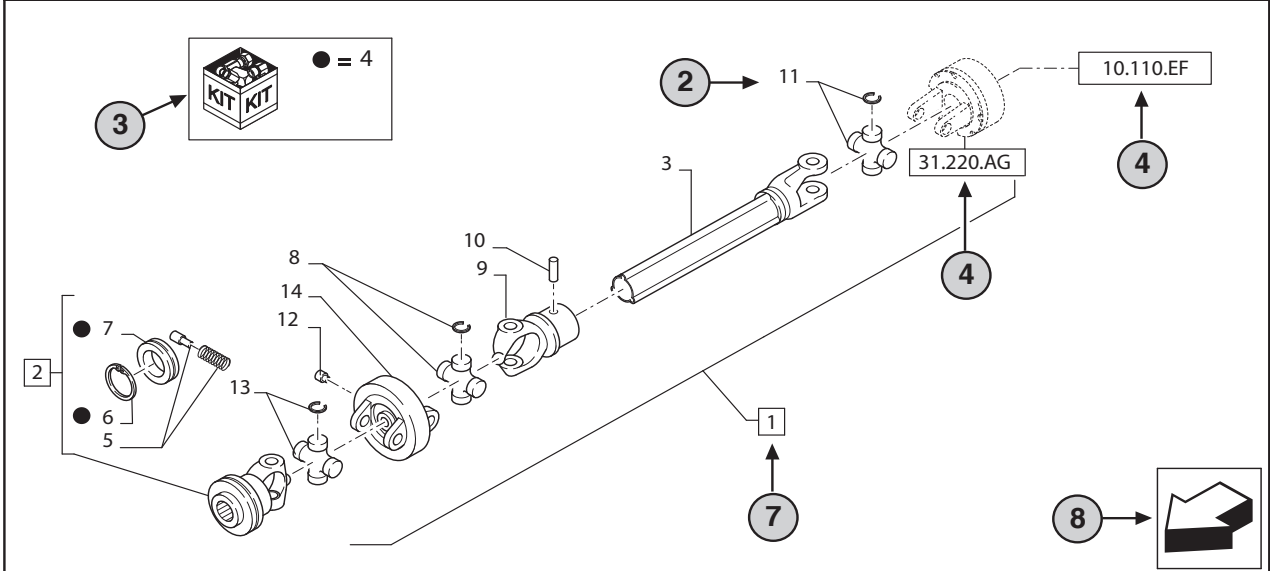
All rights reserved by **CNHi**.

The information contained in this catalogue is intended to be of a general nature only. **CNHi** may at any time and from time to time, for technical or other necessary reasons, modify any of the details or specifications of the product described in this catalogue.

To be sure of getting accurate, detailed and up-to-date information, an intending buyer should consult his nearest **CNHi** dealer or distributor.

Single item numeration method used in this catalogue may not be used without written consent from **CNHi**.

VAR - 123782, 789101,987654 - PTO - D650




**STANDARD** ← (6)

VAR - 123782, 789101,987654 - PTO - D650

(11) (12) (13) (14)

| REF | FN   | PART NUMBER              | YR/SN | QTY  | DESCRIPTION                                      |
|-----|------|--------------------------|-------|------|--|
| 1   | 1    | 86529340                 | (20)  | 1    | SHAFT PTO, Incl 2 - 11                           |
| 2   | (15) | 84014007                 |       | 1    | YOKE, Incl 4 -7 ← (7)                            |
| 3   | (16) | NSS                      |       | 1    | NOT SERVICED SEPARATELY, SHAFT, 350mm, Incl in 1 |
| 4   |      | 84004292                 |       | 1    | KIT, Seal Kit, Incl 6, 7 (17)                    |
| 4   |      | {84058743}               |       | 1    | KIT, Seal Kit, Incl 6, 7                         |
| (2) | (18) | (19)                     | (21)  | (22) |  |
|     |      | 1 = FOR ITALY ONLY ← (5) |       |      |  |

**MODELS** ← (1)

- 1 Model Number and Model Description
- 2 Reference - Figure call-out of the part number.
- 3 Parts supplied in repair kits per symbol reference.
- 4 31.220.AD Part illustrated on the **Page** or in the **Figure** indicated, or calls for **Variations** or **Details**. Indicates components shown in detail elsewhere in the catalogue under the figure number shown.
- 5 Footnote references
- 6 Figure notes
- 7 1 2 Includes item(s) ..... (See Description within partlist).
- 8 Orientation. (Arrow indicates front of the machine). 
- 9 Figure description.
- 10 General information of the figure.
- 11 Figure title number that aligns with the SRT. Standard Repair Time.
- 12 **Sequence** code within the assembly.
- 13 Page number within the sequence code.
- 14 **Date** of printing or updating of page (month-year).
- 15 **Note** - Relating to the Part Number. There is a key to symbols and abbreviations at the bottom of the text page.
- 16 Non-serviced parts.
- 17 Further description of the part to help confirm identification.
- 18 Not available as service part.
- 19 Part Number.
- 20 To be defined.
- 21 Total **Quantity** of the Part referred to in the page.  
The quantity can be replaced by the following indications:  
**AR** = quantity as requested.
- 22 Part **Description**.
- 23 Variant Codes



---

## TABLE OF CONTENTS

---

|           |    |   |
|-----------|----|---|
| 00.000.10 |    | PICTORIAL INDEX - ENGINE  |
| 00.000.14 |    | PICTORIAL INDEX - LIVE PTO  |
| 00.000.21 |    | PICTORIAL INDEX - TRANSMISSION                                    |
| 00.000.23 |    | PICTORIAL INDEX - FOUR WHEEL DRIVE SYSTEM                         |
| 00.000.25 |    | PICTORIAL INDEX - FRONT AXLE SYSTEM                               |
| 00.000.27 |    | PICTORIAL INDEX - REAR AXLE SYSTEM                                |
| 00.000.31 |    | PICTORIAL INDEX - IMPLEMENT POWER TAKE-OFF                        |
| 00.000.33 |    | PICTORIAL INDEX - BRAKES & CONTROLS                               |
| 00.000.35 |    | PICTORIAL INDEX - HYDRAULIC SYSTEMS                               |
| 00.000.37 |    | PICTORIAL INDEX - HITCHES, DRAWBARS AND IMPLEMENT COUPLINGS       |
| 00.000.39 |    | PICTORIAL INDEX - FRAMES AND BALLASTING                           |
| 00.000.41 |    | PICTORIAL INDEX - STEERING  |
| 00.000.44 |    | PICTORIAL INDEX - WHEELS  |
| 00.000.50 |    | PICTORIAL INDEX - CAB CLIMATE CONTROL                             |
| 00.000.55 |    | PICTORIAL INDEX - ELECTRICAL SYSTEMS                              |
| 00.000.90 |    | PICTORIAL INDEX - PLATFORM, CAB, BODYWORK AND DECALS              |
| 05.100.01 |    | INITIAL STOCKING LIST (LIST A), T9.480, T9.530, T9.565            |
| 05.100.02 |    | INITIAL STOCKING LIST (LIST B), T9.480, T9.530, T9.565            |
| 05.100.03 | 01 | FILTERS   |
| 05.100.03 | 02 | CAPACITIES  |
| 10.000.00 |    | SECTION INDEX - ENGINE  |
| 10.001.AD | 02 | ENGINE, T9.480, T9.530, T9.565                                    |
| 10.001.AK | 02 | ENGINE MOUNT, T9.450, T9.480, T9.505, T9.530, T9.560, T9.565      |
| 10.202.AB | 02 | AIR CLEANER ASSY - T9.450, T9.480, T9.505, T9.530, T9.560, T9.565 |
| 10.202.AD | 02 | AIR INTAKE - AIR CLEANER TO ENGINE - T9.480, T9.530, T9.565       |
| 10.202.AO | 01 | EXHAUST SYSTEM, ASPIRATOR, NA                                     |
| 10.202.BD | 02 | AIR INTAKE - T9.480, T9.530, T9.565                               |
| 10.206.AF | 02 | FUEL FILTER/WATER SEPARATOR, T9.480, T9.530, T9.565               |
| 10.206.AG |    | FUEL FILTER   |
| 10.210.AF | 03 | FUEL LINE, T9.480, T9.530, T9.565                                 |
| 10.210.AF | 04 | FUEL FILTER & FUEL TRANSFER PUMP, T9.480, T9.530, T9.565          |
| 10.216.AX | 02 | FUEL COOLER, T9.480, T9.530, T9.565                               |
| 10.216.BB | 01 | FUEL TANK CAP AND BREATHER  |
| 10.254.BA |    | EXHAUST PIPE FLAP   |



---

## TABLE OF CONTENTS

---

|           |    |   |
|-----------|----|---|
| 10.304.AE |    | ENGINE OIL FILTER   |
| 10.304.AP |    | ENGINE, VENT  |
| 10.400.AY | 02 | RADIATOR & HOSE, T9.480, T9.530, T9.565, BSN ZEF400145                    |
| 10.400.AY | 04 | RADIATOR & HOSE, T9.480, T9.530, T9.565, ASN ZEF400146                    |
| 10.400.BE |    | RADIATOR & COOLER   |
| 10.400.BI | 02 | DEARATION TANK, T9.480, T9.530, T9.565                                    |
| 10.414.AC | 02 | FAN DRIVE - T9.480, T9.530  |
| 10.500.AA | 01 | DEF/ADBLUE TANK LINES, BSN ZEF401000                                      |
| 10.500.AA | 02 | DEF/ADBLUE TANK, BSN ZEF401000  |
| 10.500.AA | 03 | DEF/ADBLUE TANK LINES, BTW ZEF401001 - ZFF401253                          |
| 10.500.AA | 04 | DEF/ADBLUE TANK, BTW ZEF401001 - ZFF401258                                |
| 10.500.AA | 05 | DEF/ADBLUE TANK LINES, ASN ZFF401254                                      |
| 10.500.AA | 06 | DEF/ADBLUE TANK, ASN ZFF401259  |
| 10.500.AC | 01 | DEF LINES ELECTRONIC CONTROL UNIT   |
| 10.500.AC | 02 | EMISSIONS INJECTOR  |
| 10.500.AD | 01 | DEF/ADBLUE LINES, BSN ZEF401000   |
| 10.500.AD | 02 | DEF LINES COVER, NA   |
| 10.500.AD | 04 | DEF/ADBLUE LINES, ASN ZEF401001   |
| 10.500.AD | 06 | DEF/ADBLUE™ TANK, HEATER LINES, T9.480, T9.530, T9.565                    |
| 10.500.AO | 02 | EXHAUST SYSTEM W/ MUFFLER, T9.480, T9.530                                 |
| 14.000.00 |    | PICTORIAL INDEX - LIVE PTO  |
| 14.100.AP | 01 | PARALLEL FLOW HYDRAULIC PUMP DRIVE, W/O PTO                               |
| 14.100.AP | 02 | PARALLEL FLOW HYDRAULIC PUMP DRIVE, SERVICE PARTS, W/O PTO, BSN ZFF401143 |
| 14.100.AP | 03 | PARALLEL FLOW HYDRAULIC PUMP DRIVE, SERVICE PARTS, W/O PTO, ASN ZFF401144 |
| 14.100.AP | 04 | PARALLEL FLOW HYDRAULIC PUMP DRIVE, GEARS, W/O PTO                        |
| 14.100.AR | 01 | PARALLEL FLOW HYDRAULIC PUMP DRIVE, W/ PTO                                |
| 14.100.AR | 02 | PARALLEL FLOW HYDRAULIC PUMP DRIVE, SERVICE PARTS, W/ PTO, BSN ZFF401181  |
| 14.100.AR | 03 | PARALLEL FLOW HYDRAULIC PUMP DRIVE, SERVICE PARTS, W/ PTO, ASN ZFF401182  |
| 14.100.AR | 04 | PARALLEL FLOW HYDRAULIC PUMP DRIVE, PTO CLUTCH, W/ PTO                    |
| 14.100.AR | 05 | PARALLEL FLOW HYDRAULIC PUMP DRIVE, GEARS, W/ PTO                         |
| 14.100.AR | 06 | PUMP DRIVE COVER, NO HIGH FLOW PUMP                                       |
| 21.000.00 |    | SECTION INDEX - TRANSMISSION  |
| 21.105.BC |    | TRANSMISSION OIL FILTER   |
| 21.105.BL | 01 | TRANSMISSION LUBRICATION LINES, FRONT, BSN ZFF403000                      |

---

## TABLE OF CONTENTS

---

|           |    |   |
|-----------|----|---|
| 21.105.BL | 02 | TRANSMISSION LUBRICATION LINES, REAR, BSN ZFF403000   |
| 21.105.BL | 03 | TRANSMISSION LUBRICATION LINES, FRONT, PS4, ASN ZFF403001   |
| 21.105.BL | 04 | TRANSMISSION LUBRICATION LINES, REAR, PS4, ASN ZFF403001  |
| 21.113.AD | 01 | TRANSMISSION MOUNTING, BSN ZFF403000  |
| 21.113.AD | 02 | TRANSMISSION, FRONT YOKE, PS4, 8C, T9.435, T9.480, T9.530 HD, T9.565, BSN ZFF403000                         |
| 21.113.AD | 04 | TRANSMISSION REAR YOKE, PS4, 8C AND 8.5C, BSN ZFF403000   |
| 21.113.AD | 05 | TRANSMISSION MOUNTING, POWERSHIFT, ASN ZFF403001  |
| 21.113.AD | 06 | TRANSMISSION, FRONT YOKE, PS4, 8C, T9.435, T9.480, T9.530 HD, T9.565, ASN ZFF403001                         |
| 21.113.AD | 07 | TRANSMISSION, FRONT RETAINER, PS4, 8C, T9.435, T9.480, T9.530 HD, T9.565, ASN ZFF403001                     |
| 21.113.AD | 08 | TRANSMISSION REAR YOKE, PS4, 8C, T9.435, T9.480, T9.530 HD, T9.565, ASN ZFF403001                           |
| 21.118.AJ | 01 | VAR - 420814 - TRANSMISSION HEATER, 120V  |
| 21.135.AQ | 01 | TRANSMISSION CONTROL VALVE MOUNTING, BSN ZFF403000  |
| 21.135.AQ | 02 | TRANSMISSION REGULATOR CONTROL VALVE, BSN ZFF403000   |
| 21.135.AQ | 03 | TRANSMISSION CONTROL VALVE, RANGE, BSN ZFF403000  |
| 21.135.AQ | 04 | TRANSMISSION CONTROL VALVE MOUNTING, ASN ZFF403001  |
| 21.135.AQ | 05 | TRANSMISSION REGULATOR CONTROL VALVE, ASN ZFF403001   |
| 21.135.AQ | 06 | TRANSMISSION CONTROL VALVE, RANGE GEAR, ASN ZFF403001   |
| 21.155.AN | 01 | TRANSMISSION, SHAFT ASSY, PS4, 8C, T9.435, T9.480, T9.530 HD, T9.565, BSN ZFF403000                         |
| 21.155.AN | 02 | TRANSMISSION, 1ST SHAFT, PS4, 8C, T9.435, T9.480, T9.530 HD, T9.565, BSN ZFF403000                          |
| 21.155.AN | 03 | TRANSMISSION, 2ND SHAFT, PS4, 8C, T9.435, T9.480, T9.530 HD, T9.565, BSN ZFF403000                          |
| 21.155.AN | 04 | TRANSMISSION, 4TH SHAFT, PS4, 8C, T9.435, T9.480, T9.530 HD, T9.565, BSN ZFF403000                          |
| 21.155.AN | 05 | TRANSMISSION, 5TH SHAFT, PS4, 8C, T9.435, T9.480, T9.530 HD, T9.565, BSN ZFF403000                          |
| 21.155.AN | 11 | TRANSMISSION, SHAFT ASSY, PS4, 8C, T9.435, T9.480, T9.530 HD, T9.565, ASN ZFF403001                         |
| 21.155.AN | 12 | TRANSMISSION, 1ST SHAFT, PS4, 8C, T9.435, T9.480, T9.530 HD, T9.565, ASN ZFF403001                          |
| 21.155.AN | 13 | TRANSMISSION, 2ND SHAFT, PS4, 8C, T9.435, T9.480, T9.530 HD, T9.565, ASN ZFF403001                          |
| 21.155.AN | 14 | TRANSMISSION, 4TH SHAFT, PS4, 8C, T9.435, T9.480, T9.530 HD, T9.565, ASN ZFF403001                          |
| 21.155.AN | 15 | TRANSMISSION, 5TH SHAFT, PS4, 8C, T9.435, T9.480, T9.530 HD, T9.565, ASN ZFF403001                          |
| 23.000.00 |    | SECTION INDEX - FOUR WHEEL DRIVE SYSTEM   |
| 23.314.AG | 02 | DRIVE SHAFT, T9.435, T9.450, T9.480, T9.505, T9.530 HD, T9.560, T9.565                                      |
| 25.000.00 |    | SECTION INDEX - FRONT AXLE SYSTEM   |
| 25.100.AA | 01 | AXLE MOUNTING   |
| 25.100.AA | 02 | VAR - 424823, 424824 - FRONT AXLE, 315 SERIES, T9.435 STANDARD, T9.480 STANDARD                             |
| 25.100.AA | 03 | VAR - 424823, 424824 - FRONT AXLE, 425 SERIES, T9.435 HD, T9.450, T9.480 HD, T9.505, T9.530, T9.560, T9.565 |

---

## TABLE OF CONTENTS

---

|           |    |  |
|-----------|----|--|
| 25.102.AD | 01 | VAR - 424823, 424824, 424268 - FRONT AXLE CARRIER  |
| 25.102.AD | 02 | VAR - 424823, 424824, 424268 - FRONT AXLE PINION CARRIER COVER   |
| 25.102.AD | 03 | VAR - 424823, 424824, 424268 - FRONT AXLE CARRIER BRAKE  |
| 25.102.AD | 04 | VAR - 424823 - FRONT AXLE DIFFERENTIAL, W/O DIFFERENTIAL LOCK  |
| 25.102.AD | 05 | VAR - 424824, 424268 - FRONT AXLE DIFFERENTIAL, W/ DIFFERENTIAL LOCK   |
| 25.108.AA | 01 | VAR - 424823, 424824 - AXLE CARRIER ASSY, 315 SERIES, T9.435 STANDARD, T9.480 STANDARD                             |
| 25.108.AA | 02 | VAR - 424823, 424824 - AXLE CARRIER ASSY, 425 SERIES, T9.435 HD, T9.450, T9.480 HD, T9.505, T9.530, T9.560, T9.565 |
| 27.000.00 |    | SECTION INDEX - REAR AXLE SYSTEM   |
| 27.100.AK | 01 | AXLE MOUNTING  |
| 27.100.AK | 02 | VAR - 424823, 424824 - REAR AXLE, 315 SERIES, T9.435 STANDARD, T9.480 STANDARD                                     |
| 27.100.AK | 03 | VAR - 424823, 424824 - REAR AXLE, 425 SERIES, T9.435 HD, T9.450, T9.480 HD, T9.505, T9.530, T9.560, T9.565         |
| 27.106.AC | 01 | VAR - 424823, 424824, 424268 - REAR AXLE CARRIER   |
| 27.106.AC | 02 | VAR - 424823, 424824, 424268 - REAR AXLE PINION CARRIER COVER  |
| 27.106.AC | 03 | VAR - 424823, 424824, 424268 - REAR AXLE CARRIER BRAKES  |
| 27.106.AC | 04 | VAR - 424823 - REAR AXLE DIFFERENTIAL, W/O DIFFERENTIAL LOCK   |
| 27.106.AC | 05 | VAR - 424824, 424268 - REAR AXLE DIFFERENTIAL, W/ DIFFERENTIAL LOCK  |
| 27.106.AC | 06 | VAR - 424823, 424824, 424268 - REAR AXLE PARKING BRAKE   |
| 27.120.AI | 01 | VAR - 424823, 424824 - AXLE CARRIER ASSY, 315 SERIES, T9.435 STANDARD, T9.480 STANDARD                             |
| 27.120.AI | 02 | VAR - 424823, 424824 - AXLE CARRIER ASSY, 425 SERIES, T9.435 HD, T9.450, T9.480 HD, T9.505, T9.530, T9.560, T9.565 |
| 31.000.00 |    | SECTION INDEX - IMPLEMENT POWER TAKE OFF   |
| 31.104.AV |    | VAR - 420601 - PTO ASSY OIL LINES  |
| 31.110.AI | 01 | PTO GEAR HOUSING, W/ 3 POINT HITCH   |
| 31.110.AI | 02 | PTO GEAR HOUSING, W/O 3 POINT HITCH  |
| 31.110.AI | 03 | PTO ASSY, BSN ZEF401000  |
| 31.110.AI | 04 | PTO ASSY, ASN ZEF401001  |
| 31.201.AG | 01 | PTO DRIVE LINE   |
| 33.000.00 |    | SECTION INDEX - BRAKES & CONTROLS  |
| 33.110.AP |    | PARK BRAKE VALVE MANUAL RELEASE  |
| 33.110.AT | 01 | PARK BRAKE VALVE   |
| 33.110.BJ | 01 | PARK BRAKE LINES   |
| 33.202.BN | 01 | BRAKE AND CLUTCH PEDAL, BSN ZFF403000  |
| 33.202.BN | 02 | BRAKE AND CLUTCH PEDAL, ASN ZFF403001  |
| 33.202.BN | 03 | DECELERATOR PEDAL  |

---

## TABLE OF CONTENTS

---

|           |    |  |
|-----------|----|--|
| 33.202.BT |    | BRAKE LINE   |
| 33.202.CM |    | BRAKE CONTROL VALVE  |
| 33.220.AC |    | TRAILER HYDRAULIC BRAKES LINES   |
| 35.000.00 |    | SECTION INDEX - HYDRAULIC SYSTEMS                                      |
| 35.106.AD | 01 | STANDARD HYDRAULIC PUMP  |
| 35.106.AD | 02 | HIGH FLOW HYDRAULIC PUMP   |
| 35.106.AD | 03 | VAR - 429176 - MEGA FLOW HYDRAULIC PUMP                                |
| 35.116.AD |    | 3 POINT HITCH CYLINDER LINES   |
| 35.116.AH |    | 3 POINT HITCH LIFT CYLINDER  |
| 35.204.AJ | 01 | AUXILIARY CONTROL VALVE DRAIN LINE                                     |
| 35.204.AJ | 02 | AUXILIARY CONTROL VALVE DRAIN BOTTLE                                   |
| 35.204.BB | 01 | REAR CONTROL VALVE, 1/2" COUPLING ASSEMBLY                             |
| 35.204.BB | 02 | REAR CONTROL VALVE, 3/4" COUPLING ASSEMBLY                             |
| 35.204.BB | 03 | POWER BEYOND COUPLERS  |
| 35.204.BE | 01 | AUXILIARY CONTROL VALVE, 4-SPOOL                                       |
| 35.204.BE | 02 | AUXILIARY CONTROL VALVE, 4-SPOOL, 3/4" COUPLING                        |
| 35.204.BE | 03 | AUXILIARY CONTROL VALVE, 4-SPOOL, WITH 3 POINT HITCH                   |
| 35.204.BE | 04 | AUXILIARY CONTROL VALVE, 4-SPOOL, WITH TRAILER BRAKE                   |
| 35.204.BE | 05 | AUXILIARY CONTROL VALVE, 4-SPOOL, 3/4" COUPLING, WITH TRAILER BRAKE    |
| 35.204.BE | 06 | AUXILIARY CONTROL VALVE, 4-SPOOL, WITH 3 POINT HITCH AND TRAILER BRAKE |
| 35.204.BE | 07 | AUXILIARY CONTROL VALVE, 5-SPOOL, WITH 3 POINT HITCH                   |
| 35.204.BE | 08 | AUXILIARY CONTROL VALVE, 6-SPOOL                                       |
| 35.204.BE | 10 | AUXILIARY CONTROL VALVE, 6-SPOOL, WITH TRAILER BRAKE                   |
| 35.204.BE | 12 | AUXILIARY CONTROL VALVE, 8-SPOOL                                       |
| 35.204.BE | 13 | AUXILIARY CONTROL VALVE, 8-SPOOL, WITH TRAILER BRAKE                   |
| 35.204.BE | 14 | TRAILER BRAKE VALVE  |
| 35.204.BE | 15 | LH END VALVE   |
| 35.204.BE | 16 | LH END VALVE, 3/4" COUPLING  |
| 35.204.BE | 17 | MAIN VALVE   |
| 35.204.BE | 18 | MAIN VALVE, 3/4" COUPLING  |
| 35.204.BE | 19 | AUXILIARY CONTROL VALVE MANIFOLD                                       |
| 35.204.BE | 20 | RH END VALVE   |
| 35.204.BE | 21 | RH END VALVE, 3/4" COUPLING  |
| 35.204.BE | 22 | 3 POINT HITCH VALVE  |

---

## TABLE OF CONTENTS

---

|           |    |   |
|-----------|----|---|
| 35.220.AD | 01 | MEGA FLOW HYDRAULIC PUMP LUBE LINES, BSN ZFF403000            |
| 35.220.AD | 02 | PTO DRIVE LUBE LINES, BSN ZFF403000                           |
| 35.220.AD | 03 | MEGA FLOW HYDRAULIC PUMP LUBE LINES, PS4, ASN ZFF403001       |
| 35.220.AD | 04 | PTO DRIVE LUBE LINES, PS4, ASN ZFF403001                      |
| 35.300.AN | 01 | VAR - 420301, 420302 - STANDARD HYDRAULIC OIL FILTER MOUNTING |
| 35.300.AN | 02 | VAR - 420301, 420302 - STANDARD HYDRAULIC OIL FILTER          |
| 35.300.AN | 03 | VAR - 429176 - MEGA FLOW HYDRAULIC OIL FILTER MOUNTING        |
| 35.300.AN | 04 | VAR - 429176 - MEGA FLOW HYDRAULIC OIL FILTER                 |
| 35.300.AQ | 01 | HYDRAULIC OIL RESERVOIR                                       |
| 35.300.BC | 01 | OIL COOLER LINES, BSN ZEF401076                               |
| 35.300.BC | 02 | OIL COOLER LINES, ASN ZEF401077                               |
| 35.322.AJ | 01 | VAR - 420301 - STANDARD HYDRAULIC PUMP SUPPLY LINES           |
| 35.322.AJ | 02 | VAR - 420302 - HIGH FLOW HYDRAULIC PUMP SUPPLY LINES          |
| 35.322.AY | 01 | VAR - 420301 - STANDARD HYDRAULIC SYSTEM LINES                |
| 35.322.AY | 02 | VAR - 420302 - HIGH FLOW HYDRAULIC SYSTEM LINES               |
| 35.322.AY | 03 | AUXILIARY CONTROL VALVE LINES, FRONT                          |
| 35.322.AY | 04 | AUXILIARY CONTROL VALVE LINES, REAR                           |
| 35.322.AY | 05 | MEGA FLOW HYDRAULIC SYSTEM LINES                              |
| 35.733.AC | 01 | FRONT AXLE LUBRICATION LINES, W/O DIFFERENTIAL LOCK           |
| 35.733.AC | 02 | REAR AXLE LUBRICATION LINES, W/O DIFFERENTIAL LOCK            |
| 35.733.AC | 03 | FRONT AXLE LUBRICATION LINES, W/ DIFFERENTIAL LOCK            |
| 35.733.AC | 04 | REAR AXLE LUBRICATION LINES, W/ DIFFERENTIAL LOCK             |
| 37.000.00 |    | SECTION INDEX - HITCHES, DRAWBARS AND IMPLEMENT COUPLINGS     |
| 37.100.AA | 01 | VAR - 420501 - STANDARD DRAWBAR                               |
| 37.100.AA | 02 | VAR - 420501 - STANDARD DRAWBAR ASSY                          |
| 37.100.AA | 03 | HIGH CAPACITY DRAWBAR, W/ 3 POINT HITCH                       |
| 37.100.AA | 04 | HIGH CAPACITY DRAWBAR ASSY                                    |
| 37.100.AA | 05 | HEAVY DUTY DRAWBAR, BOLTED STOPS                              |
| 37.100.AA | 06 | HEAVY DUTY DRAWBAR ASSY                                       |
| 37.100.AA | 07 | OFFSET DRAWBAR, W/O 3 POINT HITCH                             |
| 37.100.AA | 08 | OFFSET DRAWBAR, W/ 3 POINT HITCH                              |
| 37.100.AA | 09 | OFFSET DRAWBAR ASSY   |
| 37.100.AA | 10 | VAR - 420681 - DRAWBAR, SCRAPER QUICK-HITCH                   |
| 37.100.AA | 11 | VAR - 420681 - DRAWBAR, SCRAPER QUICK-HITCH ASSY              |

---

## TABLE OF CONTENTS

---

|           |    |   |
|-----------|----|---|
| 37.100.AB | 01 | DRAWBAR HANGER, W/O PTO   |
| 37.100.AB | 02 | DRAWBAR HANGER, W/ PTO  |
| 37.100.AB | 03 | OFFSET DRAWBAR HANGER, W/O PTO  |
| 37.100.AB | 04 | OFFSET DRAWBAR HANGER, W/ PTO   |
| 37.100.AF | 01 | TOW CABLE, W/ FRONT BALLAST   |
| 37.100.AF | 02 | TOW CABLE, W/O FRONT BALLAST  |
| 37.110.AC | 01 | 3 POINT HITCH MOUNTING, W/O PTO   |
| 37.110.AC | 02 | 3 POINT HITCH MOUNTING, W/ PTO  |
| 37.110.AC | 03 | 3 POINT HITCH   |
| 37.110.AQ |    | ROCKSHAFT ASSY  |
| 37.120.AA |    | 3 POINT HITCH UPPER LINK  |
| 37.120.AO |    | LOWER LINK ASSY   |
| 37.120.AW |    | QUICK-HITCH   |
| 39.000.00 |    | SECTION INDEX - FRAMES AND BALLASTING   |
| 39.100.AN |    | CONNECTING LINK   |
| 39.100.AS | 01 | REAR FRAME, T9.435, T9.480 STANDARD, BSN ZEF401000  |
| 39.100.AS | 02 | REAR FRAME, T9.435, T9.480 STANDARD, ASN ZEF401001  |
| 39.100.AS | 03 | REAR FRAME, T9.450, T9.480 HD, T9.505, T9.530, T9.560, T9.565, BSN ZEF401000              |
| 39.100.AS | 04 | REAR FRAME, T9.450, T9.480 HD, T9.505, T9.530, T9.560, T9.565, ASN ZEF401001              |
| 39.100.AS | 05 | REAR FRAME SADDLE TANKS, T9.450, T9.480 HD, T9.505, T9.530, T9.560, T9.565, ASN ZEF401001 |
| 39.100.AT | 01 | ARTICULATION LOCK   |
| 39.100.AT | 02 | LIFT PACKAGE  |
| 39.100.AY | 03 | FRONT FRAME, NON SUSPENDED CAB, T9.450, T9.480, T9.505, T9.530, T9.560, T9.565            |
| 39.100.AY | 04 | FRONT FRAME, SUSPENDED CAB, T9.450, T9.480, T9.505, T9.530, T9.560, T9.565                |
| 39.140.AF | 01 | FRONT COVER   |
| 39.140.AF | 02 | FRONT BALLAST   |
| 39.140.AF | 03 | FRONT WEIGHT CARRIER  |
| 39.140.AK |    | REAR WEIGHT CARRIER   |
| 39.140.AL | 01 | WHEEL WEIGHT  |
| 41.000.00 |    | SECTION INDEX - STEERING  |
| 41.101.AB | 01 | STEERING COLUMN, BSN ZEF401000  |
| 41.101.AB | 02 | STEERING COLUMN, BTW ZEF401001 - ZFF403000  |
| 41.101.AB | 03 | STEERING COLUMN, ASN ZFF403001  |
| 41.101.AJ |    | STEERING WHEEL  |

---

## TABLE OF CONTENTS

---

|           |    |  |
|-----------|----|--|
| 41.200.AO | 01 | STEERING LINES, BSN ZFF403000  |
| 41.200.AO | 02 | STEERING LINES, ASN ZFF403001  |
| 41.200.BD | 01 | STEERING VALVE LINES, BSN ZFF401218  |
| 41.200.BD | 02 | STEERING VALVE LINES, ASN ZFF401219  |
| 41.200.CJ | 01 | STEERING VALVE, W/O AUTOGUIDANCE   |
| 41.200.CJ | 02 | STEERING VALVE, W/ AUTOGUIDENCE, BSN ZFF403000                                       |
| 41.200.CJ | 03 | STEERING VALVE, W/ AUTOGUIDENCE, ASN ZFF403001                                       |
| 41.216.AT | 01 | ARTICULATION CYLINDER MOUNTING   |
| 41.216.AT | 02 | ARTICULATION CYLINDER  |
| 41.216.AV | 01 | STEERING CYLINDER HYD. LINE, BSN ZFF403000   |
| 41.216.AV | 02 | STEERING CYLINDER HYD. LINE, ASN ZFF403001   |
| 44.000.00 |    | SECTION INDEX - WHEELS   |
| 44.511.AD | 01 | WHEEL HUB, 315 SERIES AXLE, BSN ZFF401145  |
| 44.511.AD | 02 | WHEEL HUB, 315 SERIES AXLE, ASN ZFF401146  |
| 44.511.AD | 03 | WHEEL HUB, 425 SERIES AXLE, BSN ZFF401145  |
| 44.511.AD | 04 | WHEEL HUB, 425 SERIES AXLE, ASN ZFF401146  |
| 44.511.AD | 05 | WHEEL SPACER   |
| 44.511.AE | 01 | SINGLE WHEEL   |
| 44.511.AE | 02 | DUAL WHEELS  |
| 44.511.AE | 03 | TRIPLE WHEELS  |
| 50.000.00 |    | SECTION INDEX - CAB CLIMATE CONTROL  |
| 50.100.AC | 02 | HEATER LINES, T9.480, T9.530, T9.565   |
| 50.100.AP | 01 | AIR CONDITIONING UNIT, HOUSING & COVERS, BSN ZFF401129                               |
| 50.100.AP | 02 | AIR CONDITIONING UNIT, BSN ZFF401129   |
| 50.100.AP | 03 | AIR CONDITIONING UNIT, HOUSING & COVERS, ASN ZFF401130                               |
| 50.100.AP | 04 | AIR CONDITIONING UNIT, ASN ZFF401130   |
| 50.104.AB |    | CAB AIR CLEANER  |
| 50.104.AC |    | CAB BLOWER   |
| 50.104.AH |    | AIR CHANNEL  |
| 50.104.AO |    | AIR CONDITIONER  |
| 50.200.BY | 03 | AIR CONDITIONER LINES, T9.450, T9.480, T9.505, T9.530, T9.560, T9.565, BSN ZEF401076 |
| 50.200.BY | 04 | AIR CONDITIONER LINES, T9.450, T9.480, T9.505, T9.530, T9.560, T9.565, ASN ZEF401077 |
| 55.000.00 |    | SECTION INDEX - ELECTRICAL SYSTEMS   |
| 55.015.AB | 03 | ENGINE HARNESS MOUNTING, T9.480, T9.530, T9.565                                      |

---

TABLE OF CONTENTS

---

|           |    |   |
|-----------|----|---|
| 55.015.AB | 04 | ENGINE HARNESS, T9.480, T9.530, T9.565  |
| 55.024.AA | 01 | TRANSMISSION HARNESS MOUNTING, PS4, BSN ZFF403000   |
| 55.024.AA | 02 | TRANSMISSION HARNESS, BSN ZFF403000   |
| 55.024.AA | 03 | TRANSMISSION HARNESS MOUNTING, PS4, ASN ZFF403001   |
| 55.024.AA | 04 | TRANSMISSION HARNESS, ASN ZFF403001   |
| 55.035.AF | 01 | VAR - 420402, 420403 - REMOTE CONTROL VALVE SWITCH, 4/5 SPOOL                               |
| 55.035.AF | 02 | VAR - 424826, 424827 - REMOTE CONTROL VALVE SWITCH, 6/8 SPOOL                               |
| 55.035.AF | 03 | VAR - 449516 - REMOTE CONTROL VALVE SWITCH, 6 SPOOL, W/ PADDLE                              |
| 55.036.AF | 01 | HYDRAULIC SYSTEM HARNESS, BSN ZFF403000   |
| 55.036.AF | 02 | HYDRAULIC SYSTEM HARNESS MOUNTING, ASN ZFF403001  |
| 55.036.AF | 03 | HYDRAULIC SYSTEM HARNESS, ASN ZFF403001   |
| 55.046.AF | 01 | DIFFERENTIAL LOCK HARNESS MOUNTING  |
| 55.046.AF | 02 | DIFFERENTIAL LOCK HARNESS   |
| 55.048.AI | 01 | VAR - 420601 - PTO HARNESS MOUNTING   |
| 55.048.AI | 02 | VAR - 420601 - PTO HARNESS  |
| 55.100.AX | 01 | FRONT FRAME HARNESS MOUNTING, W/O CAB SUSPENSION, BSN ZFF403000                             |
| 55.100.AX | 02 | FRONT FRAME HARNESS, W/O CAB SUSPENSION, BSN ZFF403000                                      |
| 55.100.AX | 03 | FRONT FRAME HARNESS MOUNTING, W/ CAB SUSPENSION, BSN ZFF403000                              |
| 55.100.AX | 04 | FRONT FRAME HARNESS, W/ CAB SUSPENSION, BSN ZFF403000                                       |
| 55.100.AX | 05 | FRONT FRAME HARNESS MOUNTING, W/O CAB SUSPENSION, ASN ZFF403001                             |
| 55.100.AX | 06 | FRONT FRAME HARNESS, W/O CAB SUSPENSION, ASN ZFF403001                                      |
| 55.100.AX | 07 | FRONT FRAME HARNESS MOUNTING, W/ CAB SUSPENSION, ASN ZFF403001                              |
| 55.100.AX | 08 | FRONT FRAME HARNESS, W/ CAB SUSPENSION, ASN ZFF403001                                       |
| 55.100.BZ | 01 | REAR FRAME HARNESS MOUNTING, W/O CAB SUSPENSION   |
| 55.100.BZ | 02 | REAR FRAME HARNESS MOUNTING, W/ CAB SUSPENSION  |
| 55.100.BZ | 03 | REAR FRAME HARNESS  |
| 55.130.AR | 01 | 3 POINT HITCH HARNESS MOUNTING  |
| 55.130.AR | 02 | 3 POINT HITCH HARNESS   |
| 55.202.AE | 01 | VAR - 420814 - BLOCK HEATER, 120V, NA, 13L ENGINE   |
| 55.301.AA | 02 | ALTERNATOR ASSY, T9.450, T9.480, T9.505, T9.530, T9.560, T9.565                             |
| 55.302.AI | 03 | BATTERY - TRAY & CABLES, W/O CAB SUSPENSION, T9.450, T9.480, T9.505, T9.530, T9.560, T9.565 |
| 55.302.AI | 04 | BATTERY - TRAY & CABLES, W/ CAB SUSPENSION, T9.450, T9.480, T9.505, T9.530, T9.560, T9.565  |
| 55.302.AV | 01 | BATTERY EQUALIZER/CONVERTER, T4B  |
| 55.302.AV | 02 | BATTERY EQUALIZER/CONVERTER HARNESS, T4B  |



---

## TABLE OF CONTENTS

---

|           |    |   |
|-----------|----|---|
| 55.302.AV | 03 | BATTERY EQUALIZER/CONVERTER HARNESS, T4B, FUSE & RELAY                                      |
| 55.404.AC | 01 | VAR - 420025 - SINGLE BEACON  |
| 55.404.AC | 02 | VAR - 420099 - DUAL BEACON  |
| 55.404.AQ | 01 | HEADLIGHT, STANDARD, BSN ZFF401050  |
| 55.404.AQ | 02 | VAR - 420695, 420696, 449344, 449345 - HEADLIGHT, HID OPTION, BSN ZFF401050                 |
| 55.404.AQ | 03 | HEADLIGHT, STANDARD, ASN ZFF401051  |
| 55.404.AQ | 04 | VAR - 420695, 420696, 449344, 449345, 449677, 449678 - HEADLIGHT, HID OPTION, ASN ZFF401051 |
| 55.404.BD | 01 | MARKER LIGHT, NA  |
| 55.404.BM | 01 | REAR LIGHT, W/O SADDLE TANK   |
| 55.404.BM | 02 | REAR LIGHT, W/ SADDLE TANK  |
| 55.404.BS | 01 | VAR - 420927 - 360° ROOF WORK LIGHT, BSN ZFF403000  |
| 55.404.BS | 02 | REAR FENDER WORKLAMP, STANDARD  |
| 55.404.BS | 03 | VAR - 420695, 449344 - REAR FENDER WORKLAMP, HID OPTION 1, BSN ZFF403000                    |
| 55.404.BS | 04 | VAR - 420696, 449345 - REAR FENDER WORKLAMP, HID OPTION 2, BSN ZFF403000                    |
| 55.404.BS | 05 | VAR - 449677, 449678 - REAR FENDER WORKLAMP, LED, ASN ZFF403001                             |
| 55.404.BS | 06 | VAR - 449679 - 360° WORK LIGHT, LED, ASN ZFF403001  |
| 55.404.BS | 07 | CAB ROOF LIGHT  |
| 55.404.BS | 08 | VAR - 449677, 449678 - REAR CAB ROOF LIGHT, LED, ASN ZFF403001                              |
| 55.408.BE | 01 | VAR - 420824 - BACKUP ALARM   |
| 55.408.CA |    | INSTRUMENT CLUSTER  |
| 55.510.AF | 01 | CAB MAIN WIRE HARNESS MOUNTING, BSN ZFF403000   |
| 55.510.AF | 02 | CAB MAIN WIRE HARNESS, BSN ZFF403000  |
| 55.510.AF | 03 | CAB MAIN WIRE HARNESS, BSN ZFF403000  |
| 55.510.AF | 04 | CAB MAIN WIRE HARNESS, BSN ZFF403000  |
| 55.510.AF | 05 | CAB MAIN WIRE HARNESS, BSN ZFF403000  |
| 55.510.AF | 06 | CAB MAIN WIRE HARNESS, FUSE AND RELAY, BSN ZFF403000  |
| 55.510.AF | 07 | CAB MAIN WIRE HARNESS MOUNTING, ASN ZFF403001   |
| 55.510.AF | 08 | CAB MAIN WIRE HARNESS, ASN ZFF403001  |
| 55.510.AF | 09 | CAB MAIN WIRE HARNESS, ASN ZFF403001  |
| 55.510.AF | 10 | CAB MAIN WIRE HARNESS, ASN ZFF403001  |
| 55.510.AF | 11 | CAB MAIN WIRE HARNESS, ASN ZFF403001  |
| 55.510.AF | 12 | CAB MAIN WIRE HARNESS, FUSE AND RELAY, ASN ZFF403001  |
| 55.510.AH |    | CAB ROOF HARNESS  |
| 55.511.AC | 01 | HEADLIGHT HARNESS, BSN ZFF401050  |

---

TABLE OF CONTENTS

---

|           |    |  |
|-----------|----|--|
| 55.511.AC | 02 | HEADLIGHT HARNESS, ASN ZFF401051   |
| 55.511.AL | 01 | MARKER LIGHT HARNESS   |
| 55.511.AM | 01 | VAR - 420025 - SINGLE BEACON HARNESS   |
| 55.511.AM | 02 | VAR - 420099 - DUAL BEACON HARNESS   |
| 55.512.AA | 01 | RADIO SPEAKER  |
| 55.512.AA | 02 | RADIO, BSN ZEF401001   |
| 55.512.AA | 03 | BUSINESS BAND RADIO  |
| 55.512.AA | 04 | RADIO, AM/FM/WB, ASN ZEF401001   |
| 55.512.AA | 05 | RADIO, AM/FM/WB/BT/XM, ASN ZEF401001   |
| 55.512.AA | 06 | W/O RADIO, ASN ZEF401001   |
| 55.512.CS |    | ARMREST CONTROL PANEL  |
| 55.513.AC | 01 | STEERING COLUMN SHUTTLE LEVER, BSN ZEF401000                                     |
| 55.513.AC | 02 | STEERING COLUMN SHUTTLE LEVER, ASN ZEF401001                                     |
| 55.513.AC | 03 | FRONT DASH PANEL HARNESS, BSN ZFF403000  |
| 55.513.AC | 04 | FRONT DASH PANEL HARNESS, ASN ZFF403001  |
| 55.518.AH |    | FRONT AND REAR WIPERS  |
| 55.518.AW | 01 | WINDSHIELD WIPER   |
| 55.518.AW | 02 | WINDSHIELD WIPER, EU   |
| 55.518.AW | 03 | VAR - 420371, 449059, 449489 - LOWER WINDSHIELD WIPER, LUXURY CAB                |
| 55.518.BL | 01 | WINDSHIELD WASHER HARNESS, BSN ZFF403000   |
| 55.518.BL | 02 | VAR - 420371, 449059, 449489 - LOWER WINDSHIELD WASHER HARNESS                   |
| 55.518.BL | 03 | WINDSHIELD WASHER HARNESS, ASN ZFF403001   |
| 55.610.AM | 01 | VAR - 420823 - GROUND SPEED SENSOR   |
| 55.620.AB | 01 | VAR - 420402, 424825 - EHR CONTROL VALVE HARNESS MOUNTING, 4 SPOOL               |
| 55.620.AB | 02 | VAR - 420402, 424825 - EHR CONTROL VALVES HARNESS, 4 SPOOL                       |
| 55.620.AB | 03 | VAR - 420403, 424826, 427827 - EHR CONTROL VALVE HARNESS MOUNTING, 5, 6, 8 SPOOL |
| 55.620.AB | 04 | VAR - 420403, 424826, 427827 - EHR CONTROL VALVES HARNESS, 5, 6, 8 SPOOL         |
| 55.640.AG |    | ELECTRONIC CONTROL UNIT MOUNTING   |
| 55.640.BH | 01 | ISO 11783 TRAILER HITCH ADAPTER  |
| 55.640.BH | 02 | ISO 11783 CAB HARNESS  |
| 55.640.BH | 03 | ISO 11783 CHASSIS HARNESS  |
| 55.640.BH | 04 | ISO 11783 POWER HARNESS  |
| 55.640.BH | 05 | ISO 11783 POWER HARNESS, FUSE AND RELAY  |
| 55.680.AA | 01 | AUTO GUIDANCE HARNESS MOUNTING, BSN ZFF403000                                    |

---

## TABLE OF CONTENTS

---

|           |    |  |
|-----------|----|--|
| 55.680.AA | 02 | AUTO GUIDANCE CHASSIS HARNESS, BSN ZFF403000                               |
| 55.680.AA | 03 | AUTO GUIDANCE CAB HARNESS, BSN ZFF403000                                   |
| 55.680.AA | 04 | AUTOGUIDANCE CAB HARNESS, ASN ZFF403001                                    |
| 55.680.AN |    | AFS CONTROLLER MODULE  |
| 55.785.AF | 01 | VAR - 429322, 429352, 449061 - LARGE TOUCHSCREEN DISPLAY                   |
| 55.785.AF | 02 | LARGE MONITOR MOUNT, ARMREST   |
| 55.785.AF | 03 | SMALL DISPLAY, ARMREST   |
| 55.785.AF | 04 | SMALL MONITOR MOUNT, ARMREST   |
| 55.911.AC | 01 | GPS RECEIVER HARNESS   |
| 55.911.AC | 02 | GPS RECEIVER ROOF HARNESS  |
| 55.911.AC | 03 | GPS RECEIVER SUB-ROOF HARNESS  |
| 55.911.AD |    | GPS RECEIVER   |
| 55.988.AD | 01 | SCR EXHAUST SYSTEM HARNESS MOUNTING  |
| 55.988.AD | 02 | SCR MAIN FRAME HARNESS   |
| 55.988.AD | 03 | SCR EXHAUST SYSTEM HARNESS   |
| 55.988.AD | 04 | SCR EXHAUST SYSTEM QUALITY SENSOR HARNESS                                  |
| 88.100.10 | 01 | DIA KIT, ADDITIONAL PRODUCTS, BLOCK HEATER, 120V, NA, 13L ENGINE           |
| 88.100.10 | 05 | DIA KIT, ADDITIONAL PRODUCTS, ENGINE EXHAUST BRAKE, T9.480, T9.530, T9.565 |
| 88.100.21 | 01 | DIA KIT, ADDITIONAL PRODUCTS, TRANSMISSION HEATER, 120V                    |
| 88.100.21 | 02 | DIA KIT, ADDITIONAL PRODUCTS, TRANSMISSION HEATER, 240V                    |
| 88.100.35 | 01 | DIA KIT, ADDITIONAL PRODUCTS, 3/4" COUPLING                                |
| 88.100.35 | 02 | DIA KIT, ADDITIONAL PRODUCTS, POWER BEYOND COUPLERS                        |
| 88.100.35 | 03 | DIA KIT, ADDITIONAL PRODUCTS, SECOND CASE DRAIN                            |
| 88.100.35 | 04 | DIA KIT, ADDITIONAL PRODUCTS, AUXILIARY CONTROL VALVE                      |
| 88.100.37 | 01 | DIA KIT, ADDITIONAL PRODUCTS, DRAWBAR ADAPTER                              |
| 88.100.55 | 01 | DIA KIT, ADDITIONAL PRODUCTS, BASE RADIO, BSN ZEF401000                    |
| 88.100.55 | 02 | DIA KIT, ADDITIONAL PRODUCTS, PERFORMANCE RADIO, BSN ZEF401000             |
| 88.100.55 | 03 | DIA KIT, TRACTOR, RADAR  |
| 88.100.55 | 05 | DIA KIT, TRACTOR, IMPLEMENT CONTROL  |
| 88.100.55 | 06 | FUSE KIT   |
| 88.100.55 | 07 | DIA KIT, TRACTOR, 6 OR 8 SPOOL EH REMOTES                                  |
| 88.100.55 | 08 | DIA KIT, ADDITIONAL PRODUCTS, BASE RADIO, ASN ZEF401001                    |
| 88.100.55 | 09 | DIA KIT, ADDITIONAL PRODUCTS, PERFORMANCE RADIO, ASN ZEF401001             |
| 88.100.55 | 10 | DIA KIT, REAR FENDER LED WORK LAMP   |

**Thanks very much for your reading,  
Want to get more information,  
Please click here, Then get the complete  
manual**

**JustClickHere** 

**NOTE:**

**If there is no response to click on the link above,  
please download the PDF document first, and then  
click on it.**

**Have any questions please write to me:  
[admin@servicemanualperfect.com](mailto:admin@servicemanualperfect.com)**